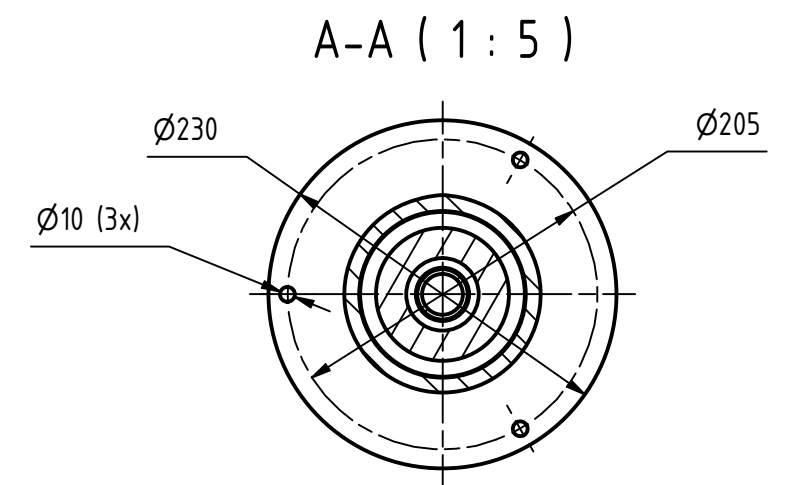
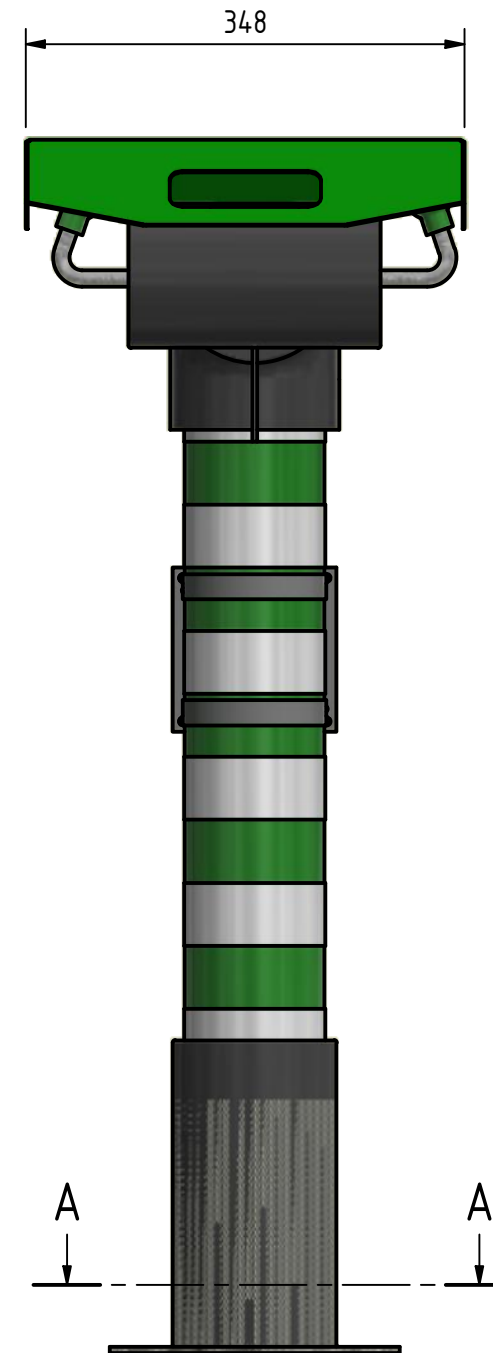
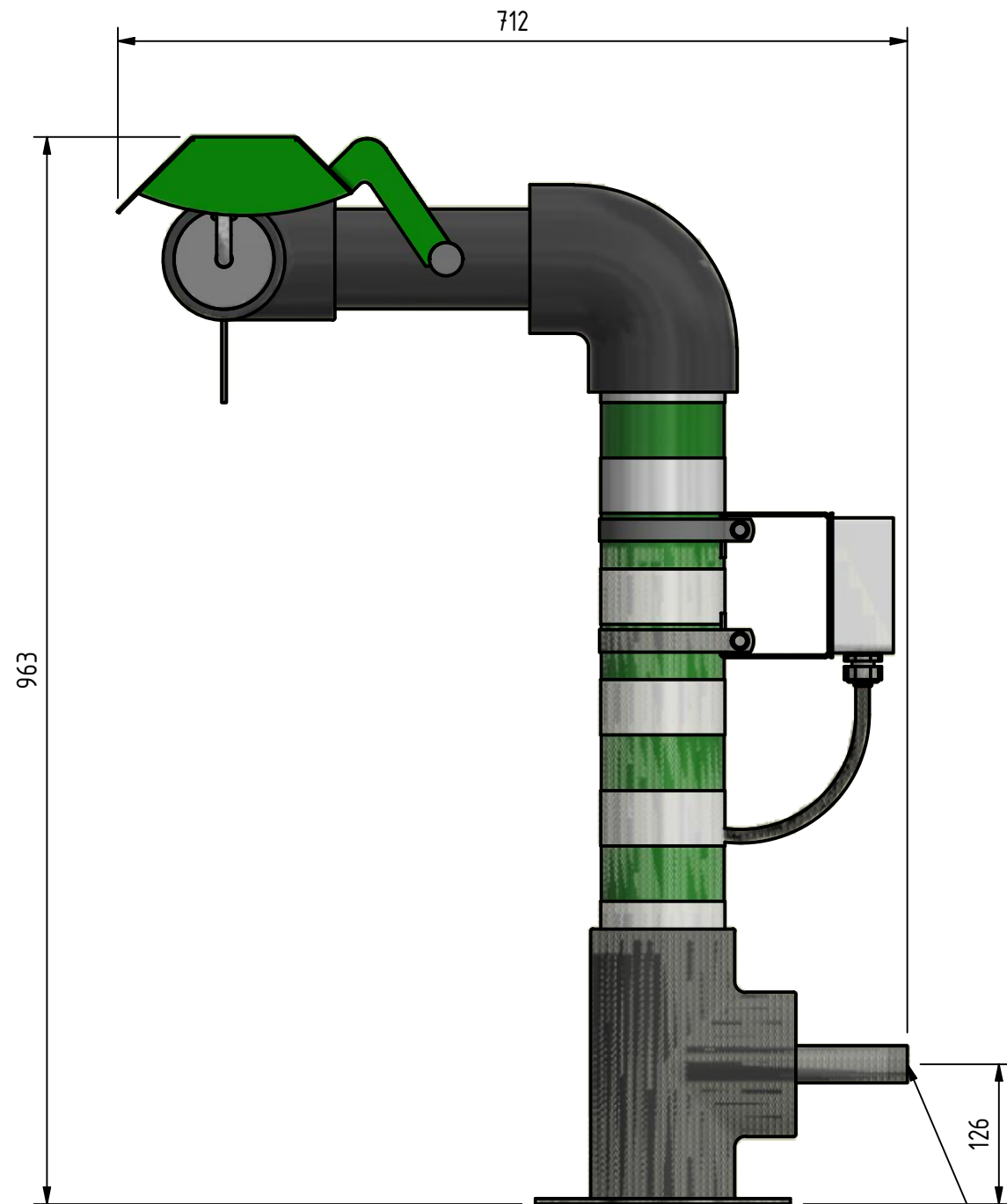




Min flow: 26 l/min



Anslutning utv./
Connection (m) DN25

7923652

7923652-EX