



Min flow: 26 + 76 l/min

Requirements for installation:

Water supply must be dimensioned for minimum 102lit/min to ensure full operating functionality of shower units.

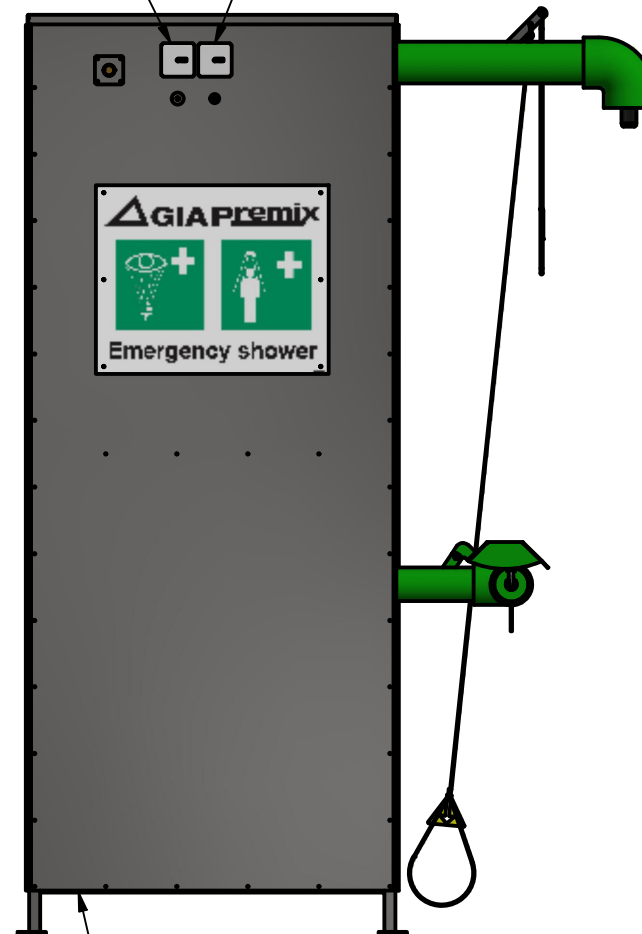
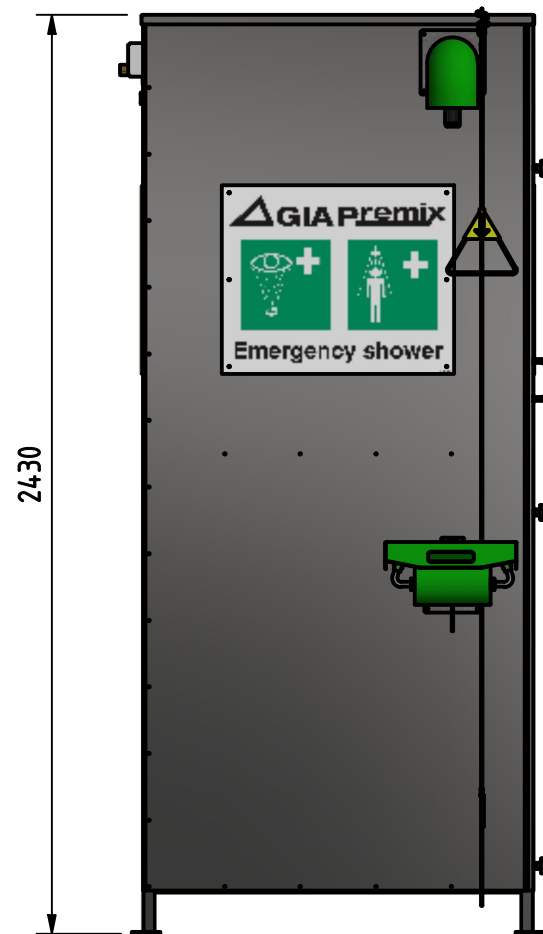
Electrical connection must be installed according to local rules for both water heater and electrical tracing of pipes to work in correct order.

The shower unit shall be placed on solid ground, eg. concrete or asphalt and preferably bolted down so it does not shift or move.

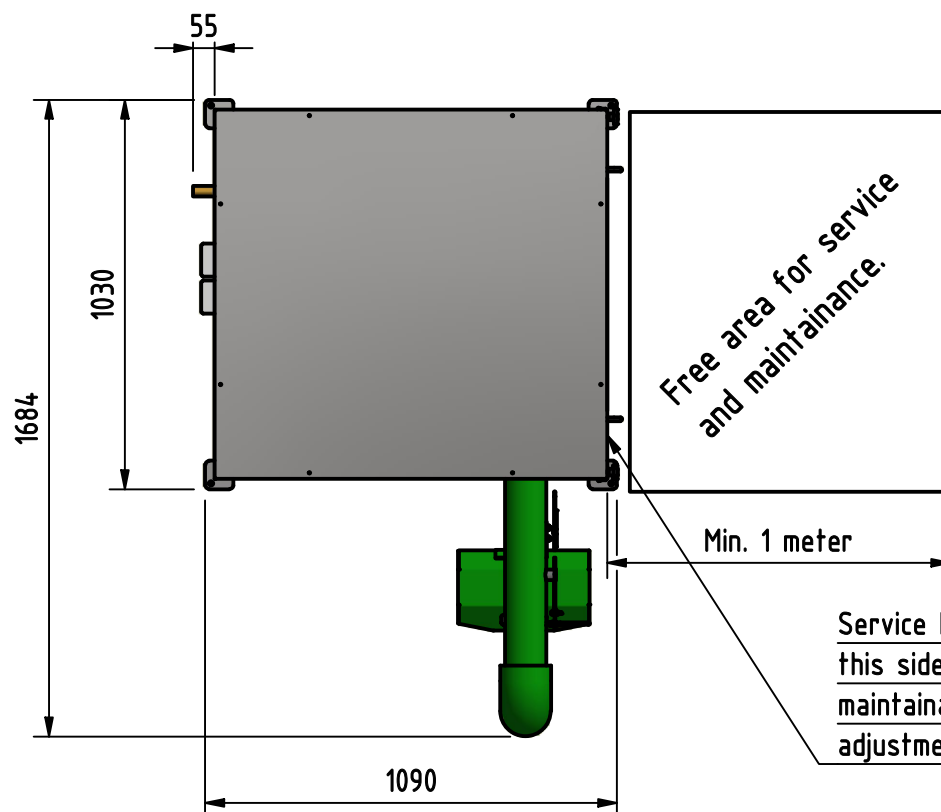
After installing of unit and before commisioning, test the unit to check that correct temperature is set and that the flow is correct.

Electrical connection
400VAC, 3ph

Electrical connection
230VAC, 1ph



Drain from safety valve on accumulator tank.
Do not blank of this pipe.



821100-500